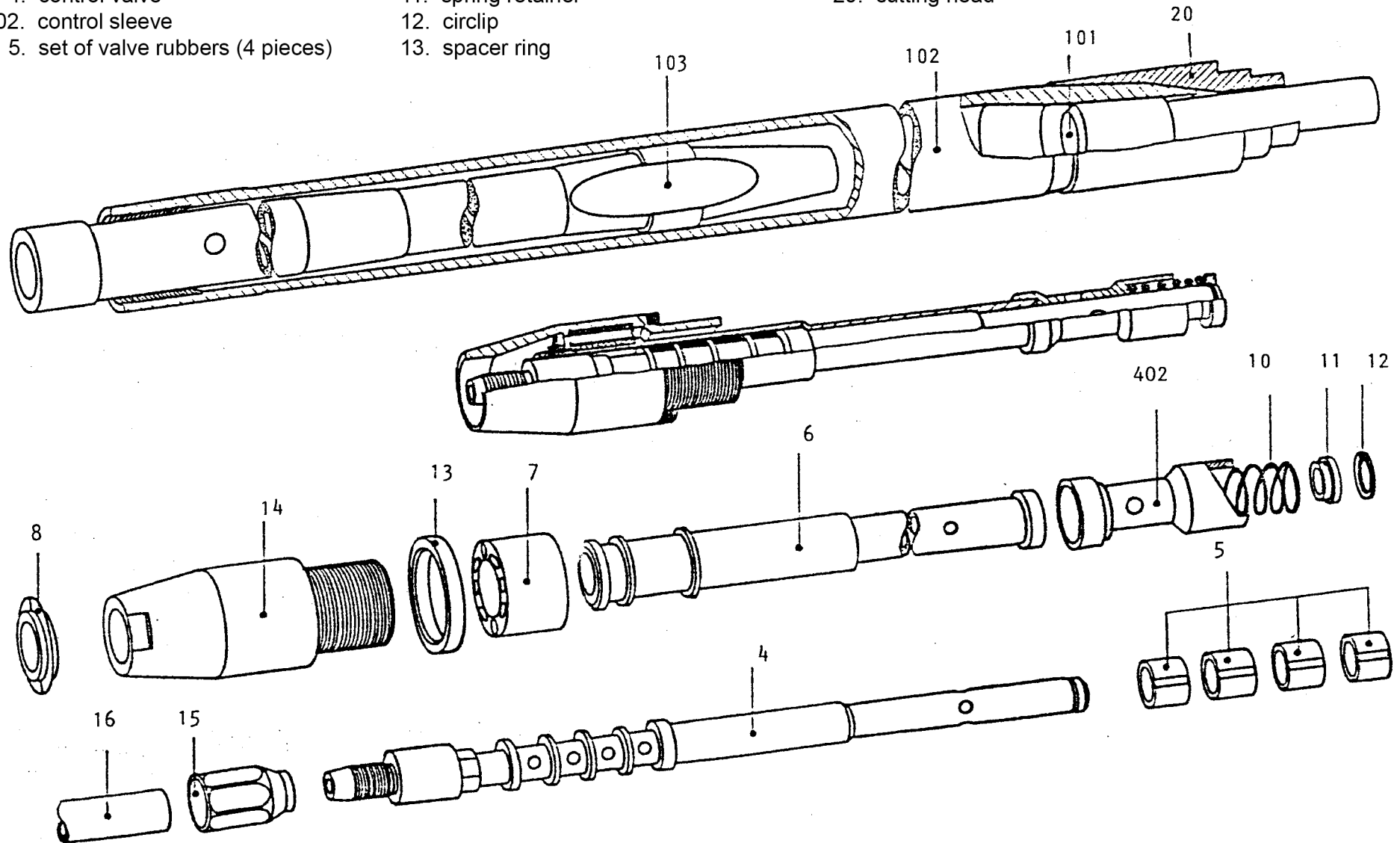


## IP-Mole IP 70 Z (short build design)

- |                                    |                         |                              |
|------------------------------------|-------------------------|------------------------------|
| 101. anvil                         | 6. outer support sleeve | 14. endnut                   |
| 102. casing                        | 7. shock absorber       | 15. tail hose nut            |
| 103. piston                        | 10. spring              | 16. tail hose with couplings |
| 4. control valve                   | 11. spring retainer     | 20. cutting head             |
| 402. control sleeve                | 12. circlip             |                              |
| 5. set of valve rubbers (4 pieces) | 13. spacer ring         |                              |



## Essig IP-Mole IP 70 Z (short build design)

Made in Germany by Fa. H. Jürgen Essig, Industrielle Anlagen GmbH & Co. KG • Gänsekamp 35 • 32457 Porta-Westfalica • Fon - 49 - 5 71 - 7 20 90