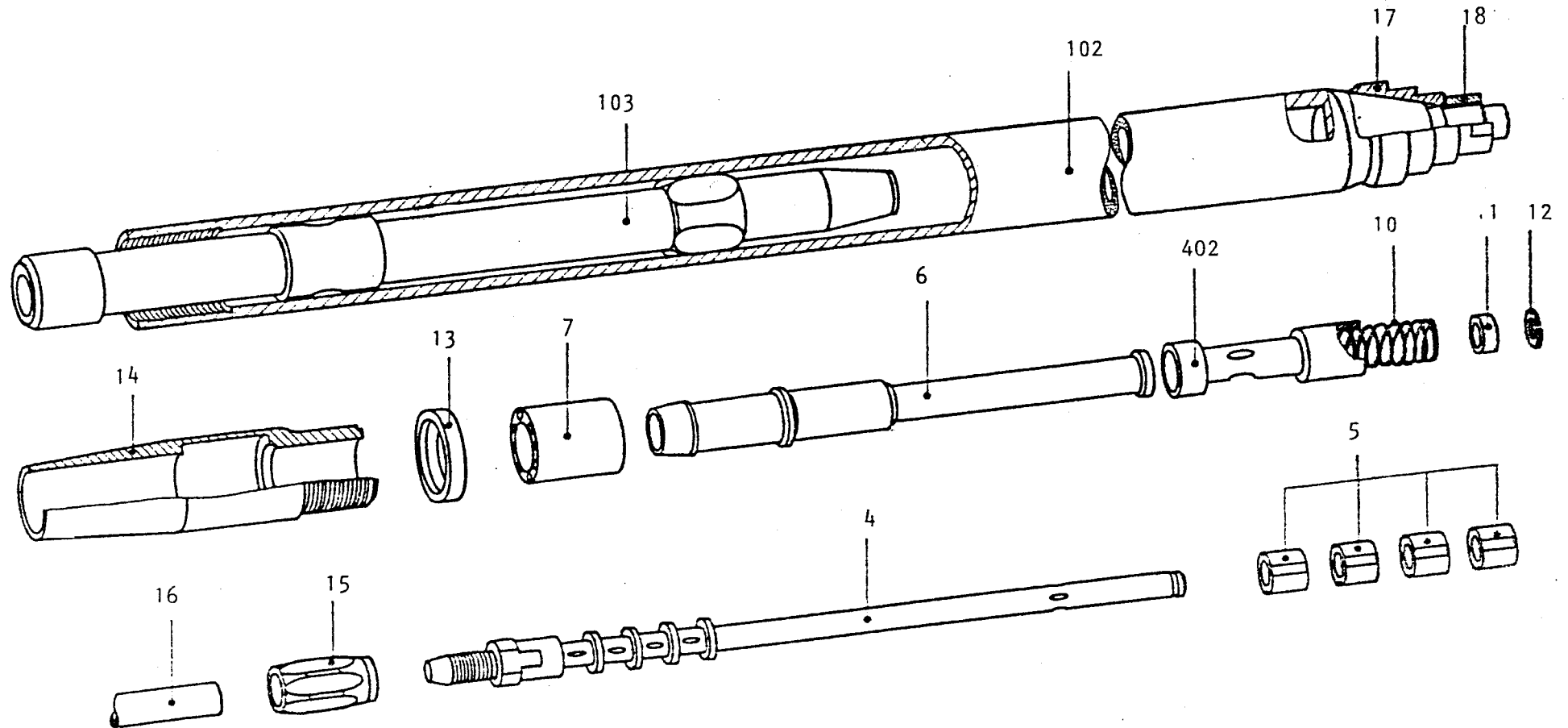


IP-Mole IP 45 ZK (short build design)

- | | | |
|------------------------------------|---------------------|------------------------------|
| 102. casing | 7. shock absorber | 15. tail hose nut |
| 103. piston | 10. spring | 16. tail hose with couplings |
| 4. control valve | 11. spring retainer | 17. cutting head |
| 402. control sleeve | 12. circlip | 18. locking nut |
| 5. set of valve rubbers (4 pieces) | 13. spacer ring | |
| 6. outer support sleeve | 14. endnut | |



Essig IP-Mole IP 45 ZK (short build design)

Made in Germany by Fa. H. Jürgen Essig, Industrielle Anlagen GmbH & Co. KG • Gänsekamp 35 • 32457 Porta-Westfalica • Fon - 49 - 5 71 - 7 20 90