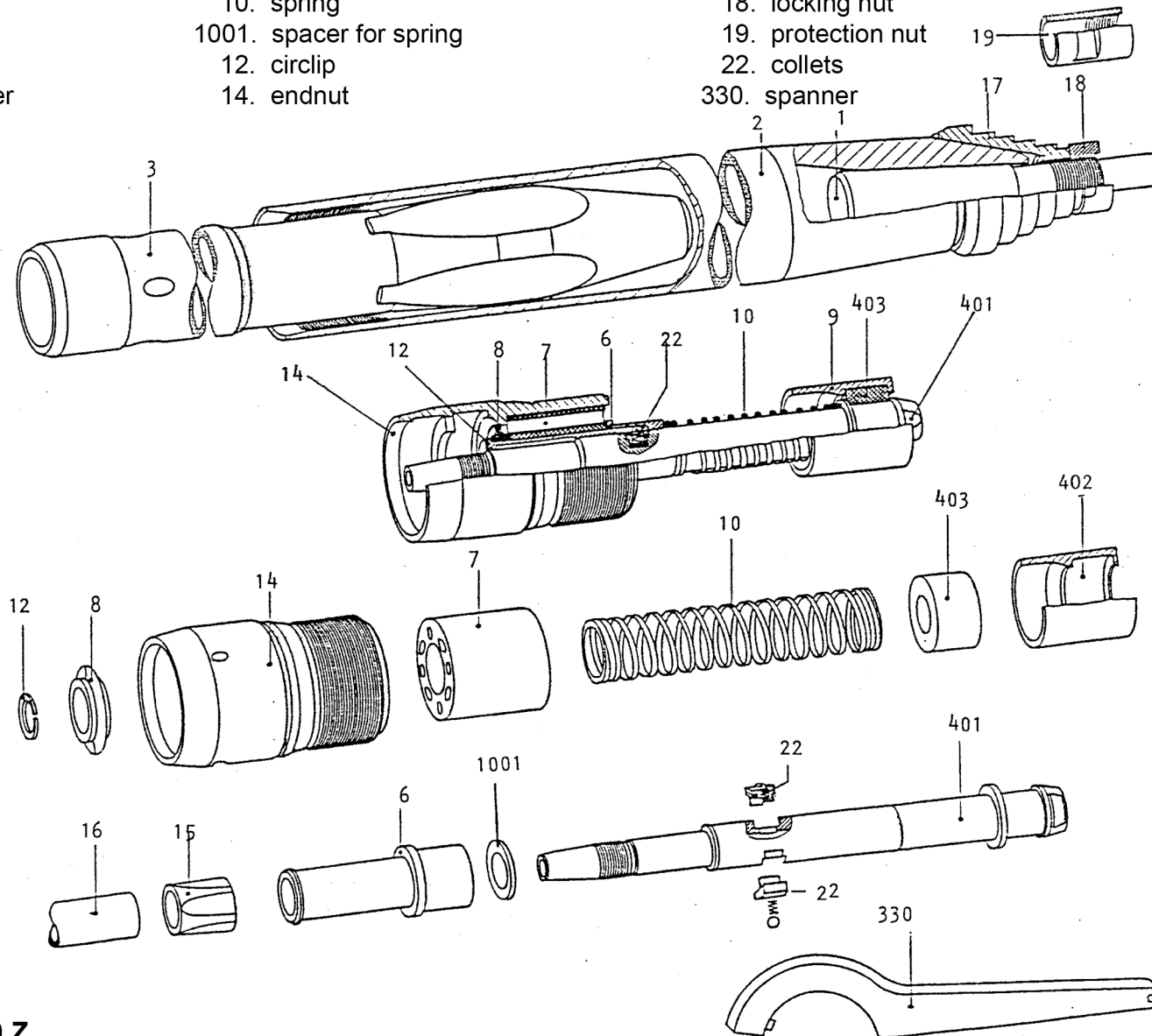


# IP-Mole IP 130 Z

- |                           |                         |                              |
|---------------------------|-------------------------|------------------------------|
| 1. threaded anvil         | 6. outer support sleeve | 15. tail hose nut            |
| 2. casing                 | 7. shock absorber       | 16. tail hose with couplings |
| 3. piston                 | 8. flap valve           | 17. cutting head             |
| 4. control valve          | 10. spring              | 18. locking nut              |
| 401. control valve tube   | 1001. spacer for spring | 19. protection nut           |
| 402. control sleeve       | 12. circlip             | 22. collets                  |
| 403. control valve rubber | 14. endnut              | 330. spanner                 |



## Essig IP-Mole IP 130 Z

Made in Germany by Fa. H. Jürgen Essig, Industrielle Anlagen GmbH & Co. KG • Gänsekamp 35 • 32457 Porta-Westfalica • Fon - 49 - 5 71 - 7 20 90